



# RAYCHEM CABLE CLAMPS

Quick Reference Guide

# WHAT MAKES RAYCHEM CABLE CLAMPS THE INDUSTRY LEADER?

Integral stainless steel clamping plates to ensure consistent clamping pressure on both sides.

Range taking elastomeric inserts, minimise stock holdings, yet maximise performance

Range accepts cable diameters from 26 - 106mm (more coming soon)

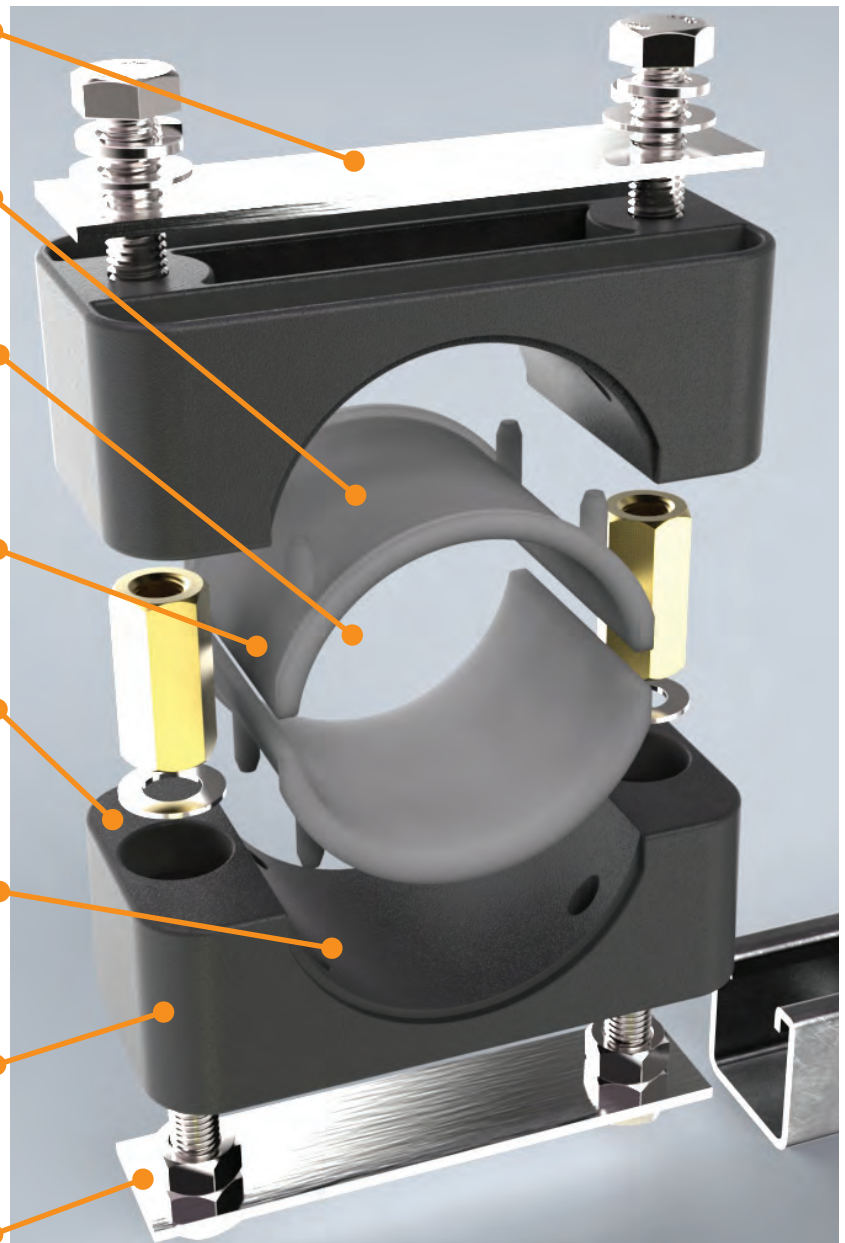
Elastomeric inserts can accommodate round, oval or "tri-round" cable profiles

Bottom half of clamps can be mounted, prior to cable fitment

Can be used without inserts in an emergency, to increase the clamping range

Impact resistant, Halogen free, UV Stabilised materials

Patented slider plate design, maximises clamp performance, when under shock load



Designed and independently tested to meet all requirements of IEC61914

Raychem cable clamps have a patented design which optimises clamping force at both the attachment point, and the cable by securing each clamp half separately. Cables can be aligned and located in the bottom half of the clamp prior to final tightening.



Easy product identification. Smooth aesthetics which improve overall strength while in operation

Optimised for harsh environments with stainless steel hardware

Self-extinguishing, UV stabilised, polymer materials

Range accepts cable diameters from 26-38mm, 38-50mm & 50-60mm

Captive elastomeric inserts for increased cable protection and containment

Can be used as a dual cable clamp or stacked

Can be mounted using centre bolt or 2 bolts at extremities

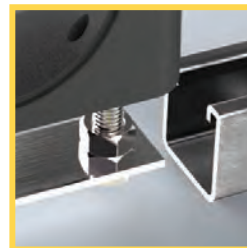
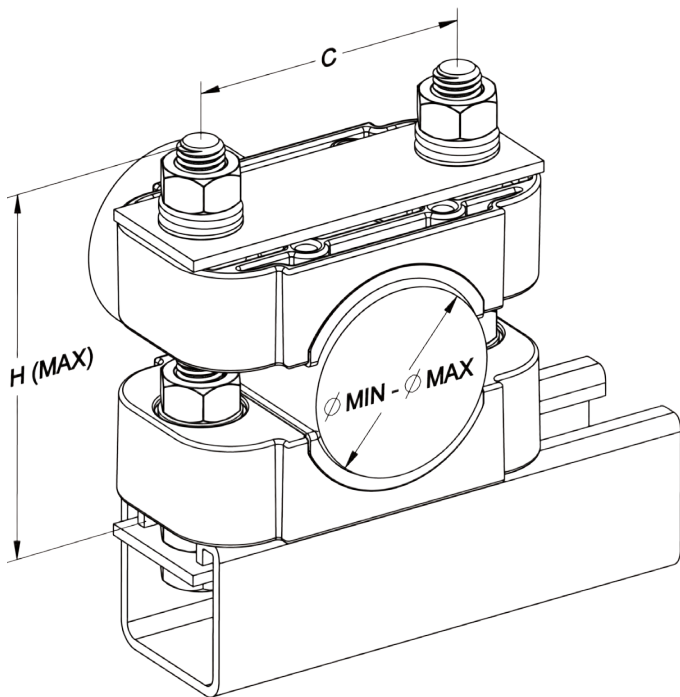
Available in slider plate and strut nut configurations

# PRODUCT SELECTION GUIDE

## SINGLE LEVEL CLAMPS

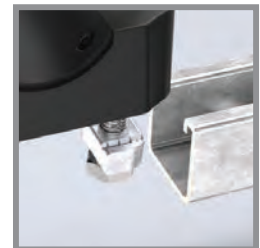
TE Part No	TAPPAT Part No	Min Cable Ø	Max Cable Ø	Bolt Hole Ctrs C	Installed Height H - Max	Bolt Ø	Type
CC26-38-SN-M10	TAP10908	26	38	60	75	M10	Strut Nut
CC26-38-SN-M12		26	38	60	75	M12	Strut Nut
CC38-50-PL-M12		38	50	75	100	M12	Slider Plate
CC38-50-SN-M12		38	50	75	100	M12	Strut Nut
CC50-60-PL-M10	TAP10907	50	60	100	116	M10	Slider Plate
CC50-60-PL-M12		50	60	100	116	M12	Slider Plate
CC50-60-SN-M10	TAP10907A	50	60	100	130	M10	Strut Nut
CC50-60-SN-M12		50	60	100	130	M12	Strut Nut
CC60-70-PL-M12		60	70	114	130	M12	Slider Plate
CC60-70-SN-M12		60	70	114	130	M12	Strut Nut
CC68-81-PL-M12	TAP10909	68	81	114	130	M12	Slider Plate
CC68-81-SN-M12	TAP10909B	68	81	114	155	M12	Strut Nut
CC80-92-PL-M12		80	92	142	155	M12	Slider Plate
CC80-92-SN-M12		80	92	142	155	M12	Strut Nut
CC92-106-PL-M12		92	106	142	155	M12	Slider Plate
CC92-106-SN-M12		92	106	142	155	M12	Strut Nut

All cable clamps are also available without hardware, please contact TE for more information



**Slider Plate Version**

Used where access to the end of the mounting rail is achievable



**Strut Nut Version**

Used where access to the end of the mounting rail is not possible

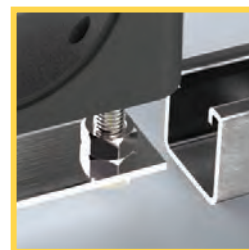
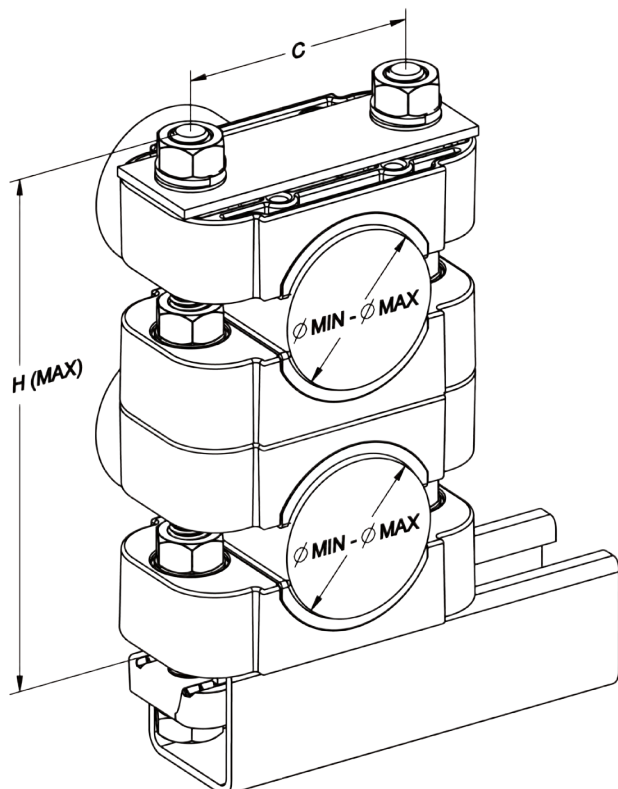


# PRODUCT SELECTION GUIDE

## DOUBLE STACKED CLAMPS

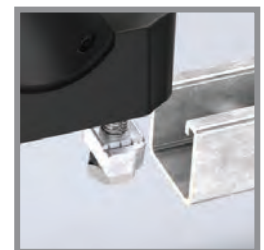
TE Part No	TAPPAT Part No	Min Cable Ø	Max Cable Ø	Bolt Hole Ctrs C	Installed Height H - Max	Bolt Ø	Type
CC38-50-PL-M12-DOUB		38	50	75	170	M12	Slider Plate
CC38-50-SN-M12-DOUB		38	50	75	170	M12	Strut Nut
CC50-60-PL-M12-DOUB		50	60	100	215	M12	Slider Plate
CC50-60-SN-M12-DOUB		50	60	100	215	M12	Strut Nut
CC60-70-PL-M12-DOUB		60	70	114	250	M12	Slider Plate
CC60-70-SN-M12-DOUB		60	70	114	250	M12	Strut Nut
CC68-81-PL-M12-DOUB	TAP10909C	68	81	114	250	M12	Slider Plate
CC68-81-SN-M12-DOUB	TAP10909D	68	81	114	250	M12	Strut Nut
CC80-92-PL-M12-DOUB		80	92	142	295	M12	Slider Plate
CC80-92-SN-M12-DOUB		80	92	142	295	M12	Strut Nut
CC92-106-PL-M12-DOUB		92	106	142	295	M12	Slider Plate
CC92-106-SN-M12-DOUB		92	106	142	295	M12	Strut Nut

All cable clamps are also available without hardware, please contact TE for more information



**Slider Plate Version**

Used where access to the end of the mounting rail is achievable



**Strut Nut Version**

Used where access to the end of the mounting rail is not possible

# TREFOIL CABLE CLAMPS

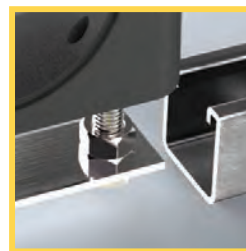
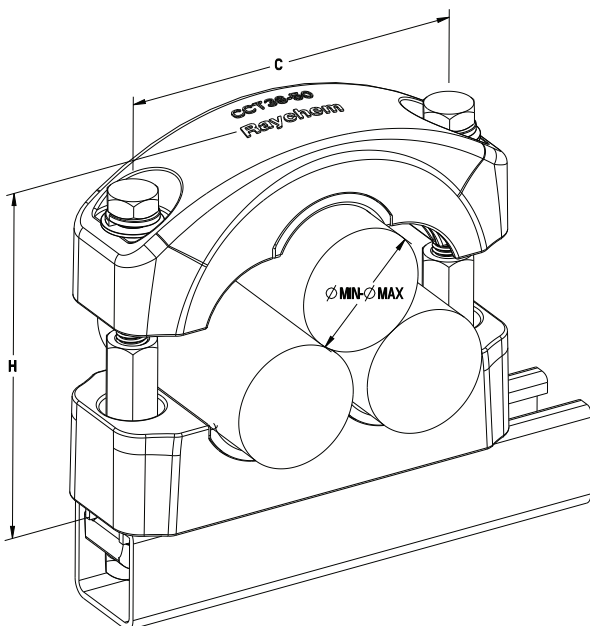
## Features:

- Range accepts cable diameters from 26-38mm, 38-50mm & 50-60mm
- Can be mounted using centre bolt or 2 bolts at extremities
- Can be stacked
- Available in slider plate and strut nut configurations.
- Superior clamping performance
- Captive elastomeric inserts for increased cable protection and containment
- Optimised for harsh environments with stainless steel hardware and self-extinguishing polymer materials
- Smooth aesthetics which improve overall strength while in operation
- Easy product identification

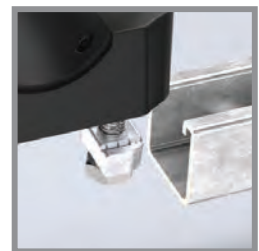


TE Part No	Min Cable Ø	Max Cable Ø	Bolt Hole Ctrs C	Installed Height H - Max	Bolt Ø	Type
CCT26-38-SN-M12	26	38	100	116	M12	Strut Nut
CCT26-38-PL-M12	26	38	100	116	M12	Slider Plate
CCT38-50-SN-M12	38	50	138	145	M12	Strut Nut
CCT38-50-PL-M12	38	50	138	145	M12	Slider Plate
CCT50-60-SN-M12	50	60	160	164	M12	Strut Nut
CCT50-60-PL-M12	50	60	160	164	M12	Slider Plate

All cable clamps are also available without hardware, please contact TE for more information



**Slider Plate Version**  
Used where access to the end of the mounting rail is achievable



**Strut Nut Version**  
Used where access to the end of the mounting rail is not possible

## RAYCHEM CABLE CLAMPS ARE AVAILABLE FOR ALL APPLICATIONS

Stacking is possible for Single and Trefoil cable clamps, furthermore, TE Connectivity's in house design team is on hand to produce tailor made schematics and specify technical details for custom cable clamp layouts that suit your specific needs. Please contact your local TE Connectivity Energy Representative for more details.



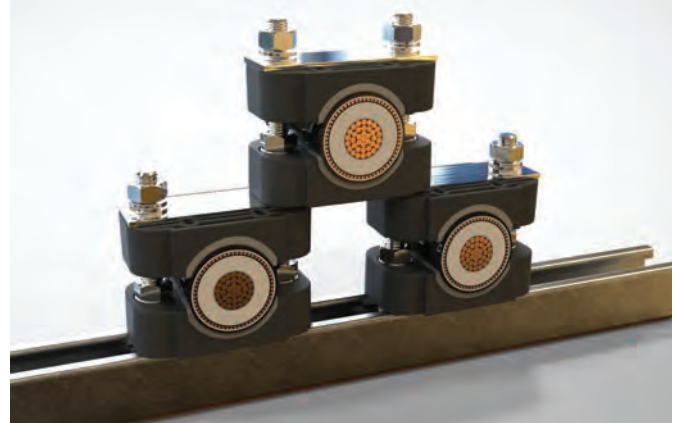
Stacked dual application



Dual cable application



3 x 3 configuration



Pyramid installation



3 Phase pad mount kit  
TAP10910 - Ø 26-38mm



Double stacked trefoil application

TE Connectivity (NYSE: TEL) is a \$14 billion global technology leader. Our connectivity and sensor solutions are essential in today's increasingly connected world. We collaborate with engineers to transform their concepts into creations – redefining what's possible using intelligent, efficient and high-performing TE products and solutions proven in harsh environments. Our 80,000 people, including 7,500 design engineers, partner with customers in over 150 countries across a wide range of industries. We believe EVERY CONNECTION COUNTS – [te.com](http://te.com).

#### Markets

- Mining
- Nuclear
- Petrochemical
- Rail
- Windfarm
- Solar
- Hydroelectric

#### Applications

- Overhead Distribution
- Street Lighting
- Substations
- Transmission
- Underground Distribution

WHEREVER ELECTRICITY FLOWS, YOU'LL FIND TE ENERGY



[te.com/energy](http://te.com/energy)

#### Distributed by



20 Neilpark Drive  
East Tamaki  
Auckland  
p: +64 9 274 3340  
0800 442 182  
e: [sales@transnet.co.nz](mailto:sales@transnet.co.nz)  
w: [www.transnet.co.nz](http://www.transnet.co.nz)

#### te.com

TE Connectivity, TE Connectivity (logo) and Every Connection Counts are trademarks. All other logos, products and/or company names referred to herein might be trademarks of their respective owners.

The information given herein, including drawings, illustrations and schematics which are intended for illustration purposes only, is believed to be reliable. However, TE Connectivity makes no warranties as to its accuracy or completeness and disclaims any liability in connection with its use. TE Connectivity's obligations shall only be as set forth in TE Connectivity's Standard Terms and Conditions of Sale for this product and in no case will TE Connectivity be liable for any incidental, indirect or consequential damages arising out of the sale, resale, use or misuse of the product. Users of TE Connectivity products should make their own evaluation to determine the suitability of each such product for the specific application.

© 2015 TE Connectivity Ltd. family of companies All Rights Reserved.

EPP-2211-AU-5/15

#### RAYCHEM CABLE CLAMPS

##### TE Connectivity Energy

Unit 2 3 Corella Close  
Berkeley Vale NSW Australia  
Tel +61 2 4389 6000

[www.te.com](http://www.te.com)

TE CONNECTIVITY AUSTRALIA PTY LTD